

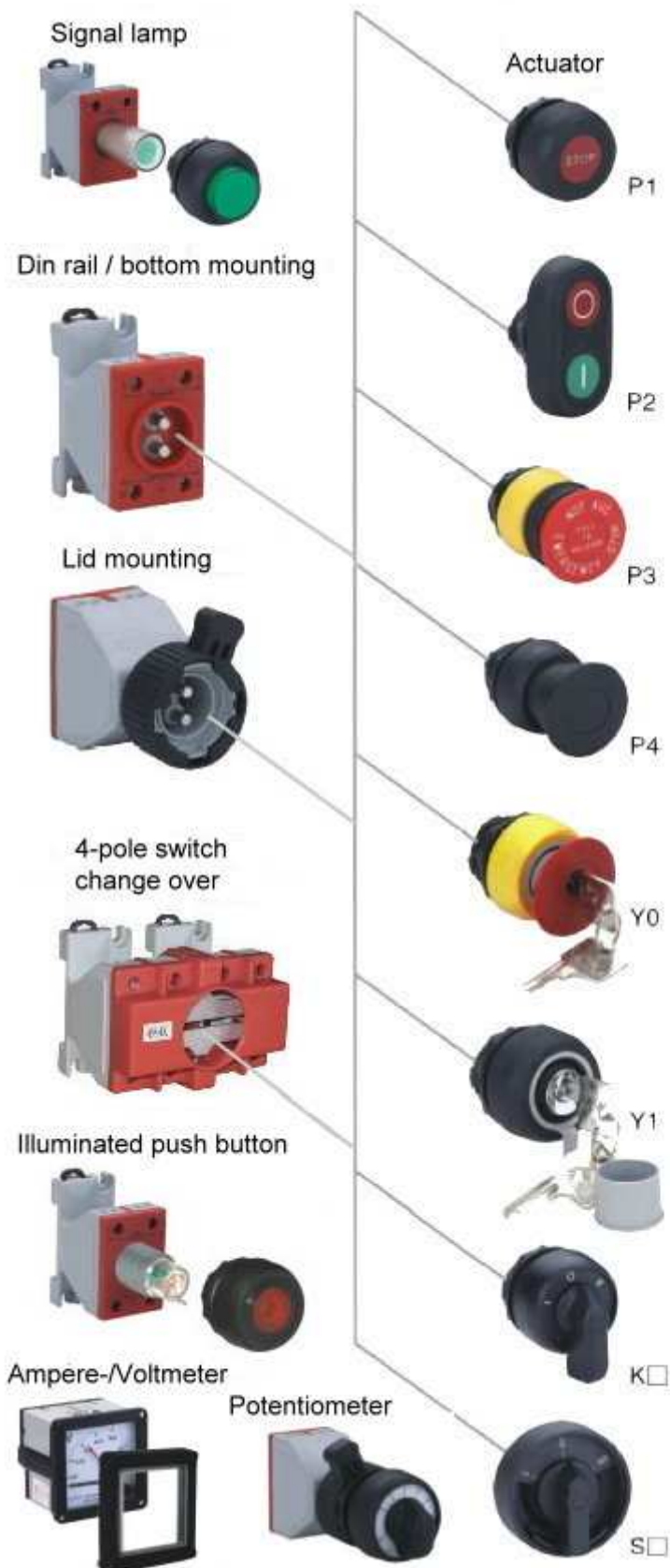
QX-02....Overview

Overview for local control stations

Erfahrung ist Zukunft



Local control station
Overview



Switching modul:

Label:

Ex II 2G Ex de IIC

IECEX, ATEX

Zone 1,21,2,22

T_a -55°C bis 60°C

Electrical data:

U 250 V 250 V 110 V 24 V

Use AC12 AC15 DC13 DC13

I 16 A 10A 0.5A 1A

T_a ≤ 40°C ≤ 60°C ≤ 60°C ≤ 60°C

Switching cycles ≥ 100.000

Mounting: TS35, bottom (mounting plate), lid

Signal modul:

Label:

Ex II 2G Ex de IIC

IECEX, ATEX

Zone 1,21,2,22

T_a -55°C bis 60°C, P_{max} ≤ 1W

Electrical data:

U: AC 24-240V, DC 24-36V

Optional AC 220V-380 V

Mounting: TS35, bottom (mounting plate), lid

Illuminated push button:

Label:

Ex II 2G Ex de IIC

IECEX, ATEX

Zone 1,21,2,22

T_a -55°C bis 60°C, P_{max} ≤ 1W

U 250 V 24 V

Use AC15 DC13

I 6A 1A

Electrical data:

U: AC 24-240V, DC 24-36V

Mounting: TS35, bottom (mounting plate), lid

QX-0201-P...

Push button function for local control stations ,
double push button available



Local control functions

- High switching capacity
- Robust build up
- All approvals

Single pushbutton (QX-0201-P1)

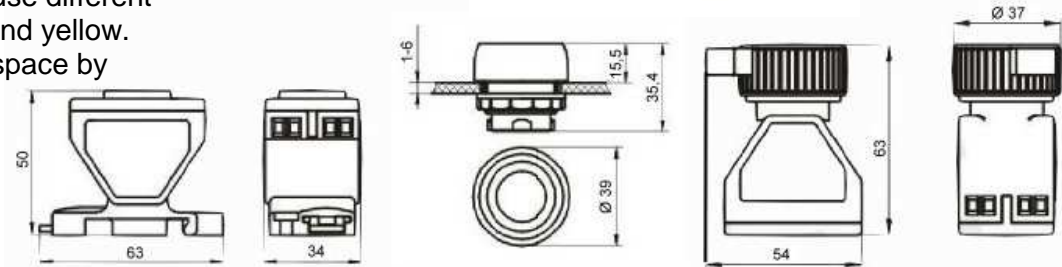


Description

Push button function to build up local control stations or local control panels. Robust and reliable build up with 2,5mm² and 250V. Combinable with all functions. To show the functionality one can use different colors (red, green, white, blue and yellow). The double push button saves space by using two functions

possible use as:

- local control station
- local control panel



Approvals

Ex II 2 GD

Certificate:

EPS11ATEX1396 U

IECEX EPS 11.0011 U

Technical data

Dimension (mm)	s. drawing
Zones:	1, 21, 2, 22
Group:	IIC
Voltage/current:	250 V / 16 A(+40°C) 10 A(+60°C)
Terminals :	2,5mm ²
Ambient temperature:	-55°C up to 60°C
Ingress protection:	IP66

P1 = single pushbutton, P2 = double pushbutton

Rail		QX-0201-PX 60
		QX-0201-PX 61
		QX-0201-PX 62
Lid		QX-0201-PX 70
		QX-0201-PX 71
		QX-0201-Px 72

QX-0201-P...



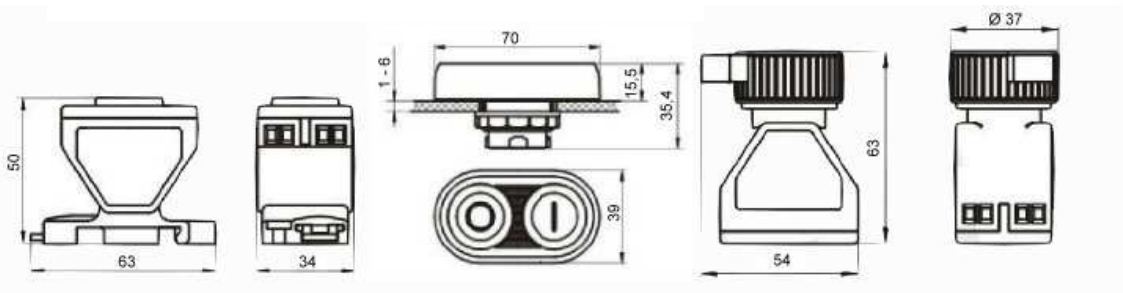
Push button function for local control stations ,
double push button available

Local control functions

Please add the following 2 digits for the label of the pushbutton at the end of the type number e.g. QX-0201-P1 71 **03** (green label, ON)

Code	Color of label	engraved sign	color of sign
01	green	I ON START	white white white
02	green		
03	green		
04	green		
21	red	O OFF STOP	white white white
22	red		
23	red		
24	red		
41	white	II ↑ START STOP FW BW STOP ↑↑	black black black black black black red black
42	white		
43	white		
44	white		
45	white		
46	white		
47	white		
48	white		
49	white		
61	yellow	↑↑	white
62	yellow		
81	black		

Double pushbutton (QX-0201-P2)



Please add the above 2 digits for the label of the double pushbutton at the end of the type number twice e.g. :

QX-0201-P2 71 **04 / 24** (green label START; red label STOP)

QX-0201-P3

Emergency push button with mushroom head



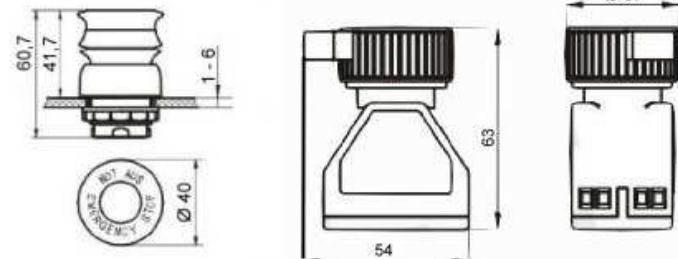
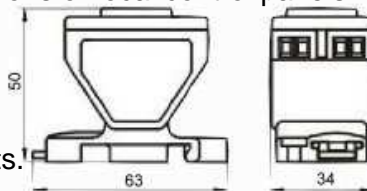
Befehlsmeldegeräte

- High switching capacity
- Robust construction
- International approved



Description

Emergency switch off function with mushroom head for build up of local control stations or local control panels. Robust and reliable switch with 2,5mm² terminals and 250V. With yellow marking ring, according to international requirements.



Possible use as

- Local control station
- Local control panel

Technical data

Dimension (mm)	s. drawing
Zones:	1, 21, 2, 22 Group IIC
Voltage/Current:	250V / 16 A (+40°C) 10 A (+60°C)
Terminals :	2,5mm ² , silver contacts
Ambient temperature:	-55°C up to +60°C

Approvals

Ex II 2 GD
 Certificates:
 EPS11ATEX1396 U
 IECEx EPS 11.0011 U

		QX-0201-P3 60
Rail		QX-0201-P3 61
		QX-0201-P3 62
		QX-0201-P3 70
Lid		QX-0201-P3 71
		QX-0201-P3 72

QX-0201-P4

Push button with mushroom head



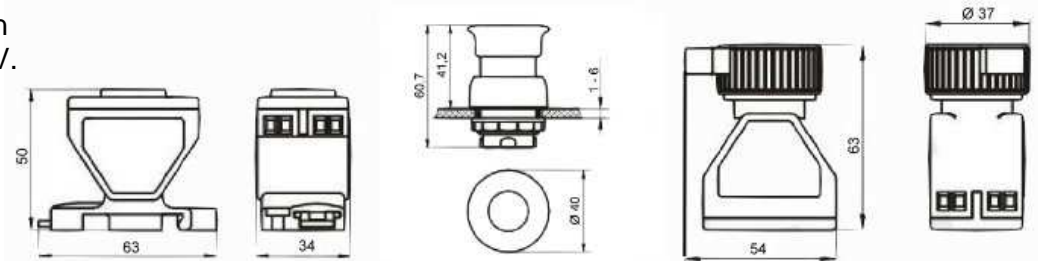
Local control station

- High switching capacity
- Robust construction
- International approvals



Description

push button with mushroom head to build up local control stations or local control panels.
Robust and reliable construction with 2,5mm² terminals and 250V.



Possible use as:

- Local control stations
- Local control panels

Technical data

Dimension (mm)	s. drawing
Zones:	1, 21, 2, 22 Group IIC
Voltage/current:	250 V / 16 A (+40°C) 10 A (+60°C)
Terminals:	2,5mm ² , silver contacts
Ambient temperature:	-55°C up to +60°C

Approvals

II 2 GD
Certificates:
EPS11ATEX1396 U
IECEX 11.0011 U

Rail		QX-0201-P4 60
		QX-0201-P4 61
		QX-0201-P4 62
Lid		QX-0201-P4 70
		QX-0201-P4 71
		QX-0201-P4 72

QX-0201-Y0

Key release push button with mushroom head, red



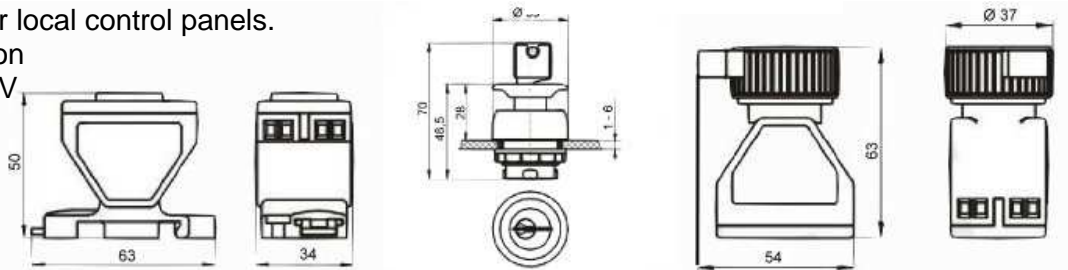
Local control station

- High switching capacity
- Robust construction
- International approvals



Description

Key release push button with red mushroom head to build up local control stations or local control panels. Robust and reliable construction with 2,5mm² terminals and 250V or show functionality coloured red



Possible use as:

- Local control stations
- Local control panels

Technical data

Dimension (mm)	s. drawing
Zones:	1, 21, 2, 22 Group IIC
Voltage/current:	250 V / 16 A (+40°C) 10 A (+60°C)
Terminals:	2,5mm ² , silver contacts
Ambient temperature:	-55°C up to +60°C

Approvals

II 2 GD
 Certificates:
 EPS11ATEX1396 U
 IECEX 11.0011 U

Rail		QX-0201-Y0 60
		QX-0201-Y0 61
		QX-0201-Y0 62
Lid		QX-0201-Y0 70
		QX-0201-Y0 71
		QX-0201-Y0 72

QX-0201-Y1

Key release button for local control stations



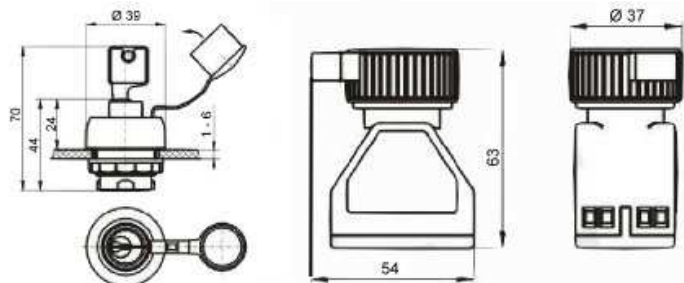
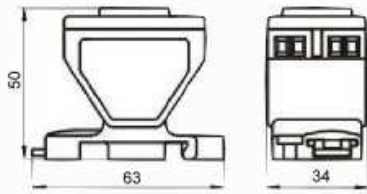
Local control station

- High switching capacity
- Robust construction
- International approvals



Description

Key release button for build up of local controls stations or local control. Robust and reliable construction 2,5mm² silver contacts and 250V. Combinable with all local control functions.



Possible use as:

- Local control stations
- Local control panels

Technical data

Dimension (mm)	s. drawing
Zones:	1, 21, 2, 22 Group IIC
Voltage/Current:	250 V / 16 A (+40°C) 10 A (+60°C)
Terminals :	2,5mm ² , silver contacts
Ambient temperature:	-55°C up to +60°C
International protection:	IP 66

Approvals

Ex II 2 GD
 Certificates:
 EPS11ATEX1396 U
 IECEX 11.0011 U

Rail		QX-0201-Y1 60
		QX-0201-Y1 61
		QX-0201-Y1 62
Lid		QX-0201-Y1 70
		QX-0201-Y1 71
		QX-0201-Y1 72

QX-0201-K/S...



2-pole switching function for local control stations

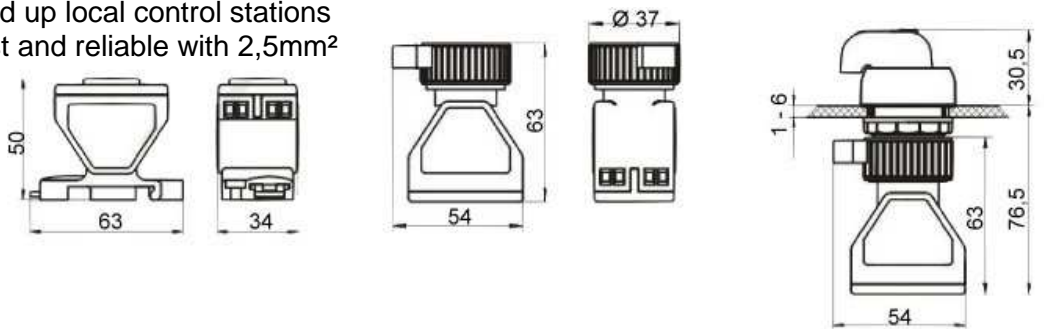
Local control station

- High switching capacity
- Robust construction
- International approvals



Description

2-pole switching function to build up local control stations and local control panels. Robust and reliable with 2,5mm² silver contacts and 250V. Different switching combination possible (s. scheme)

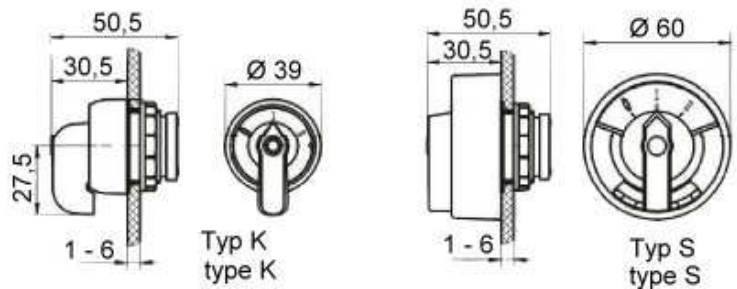


Possible use as:

- Local control station
- Local control panel

Technical data

Dimension (mm)	s. drawing
Zones:	1, 21, 2, 22 Group IIC
Voltage/current:	250 V / 16 A (+40°C) 10 A (+60°C)
Terminal :	2,5mm ² , silver contacts
Ambient temperature:	-55°C up to +60°C
International Protection:	IP 66



Approvals

Ex II 2 GD
Certificates:
EPS11ATEX1396 U
IECEX EPS 11.011 U



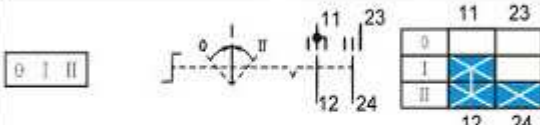
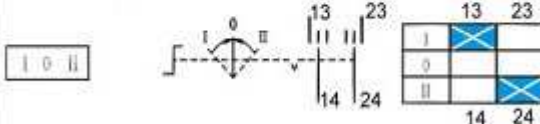
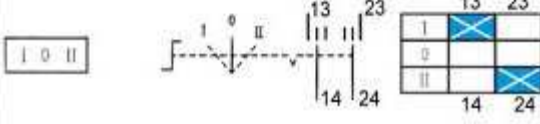

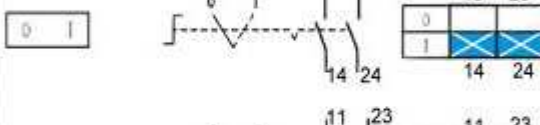
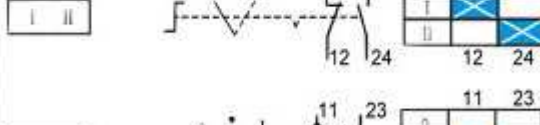

QX-0201-K/S...

2-pole switching function for local control stations



Local control station

Order number for switching scheme see table below

contact scheme	Ø 39 mm	Ø 60 mm	
			
	QX-	QX-	
	K4 6 003	S4 6 003	Rail
	K4 7 003	S4 7 003	Lid
	K4 6 204	S4 6 204	Rail
	K4 7 204	S4 7 204	Lid
	K5 6 204	S5 6 204	Rail
	K5 7 204	S5 7 204	Lid
	K5 6 003	S5 6 003	Rail
	K5 7 003	S5 7 003	Lid
	K6 6 201	S6 6 201	Rail
	K6 7 201	S6 7 201	Lid
	K6 6 002	S6 6 002	Rail
	K6 7 002	S6 7 002	Lid
	K8 6 005	S8 6 005	Rail
	K8 7 005	S8 7 005	Lid
		S8 x 005 9	lockable

The labels of the switching handle can be combined as requested.

Therefore use the last digits of the needed label

e.g.: instead of = **0 • I** at S8 60 05

you wish to use **I 0 II** (but same contact scheme)

order number will be: S8 60 04

QX-0201-P/S..5....



4-pole switching function for local control stations

Local control stations

- High switching capacity
- Robust build up
- All approvals

Possible use as

- Local control station
- Local control panel

Description


4-pole switching function to build up local control stations or local control panels. Robust and reliable build up with 2,5mm² terminals and 250V. Combinable with all functions. This module is compatible with both push-button elements as well as control switches with different switching schemes.

Technical Data

Dimension (mm)	s. drawing (page 2)
Zones:	1, 21, 2, 22
Group:	IIC
Voltage/Current:	250 V / 16 A (+40°C) 10 A (+60°C)
Terminals :	2,5mm ²
Ambient temperature:	-55°C bis +60°C
Ingress protection:	IP66

Approvals

Ex II 2 GD
Certificate:
EPS11ATEX1396 U
IECEX EPS 11.011 U



	Contact Scheme					Order number QX-201-
		2 NC / 2 NO				<input type="checkbox"/> <input type="checkbox"/> 50 <input type="checkbox"/> <input type="checkbox"/>
		4 NC				<input type="checkbox"/> <input type="checkbox"/> 51 <input type="checkbox"/> <input type="checkbox"/>
		4 NO				<input type="checkbox"/> <input type="checkbox"/> 52 <input type="checkbox"/> <input type="checkbox"/>
		1 NC / 3 NO				<input type="checkbox"/> <input type="checkbox"/> 53 <input type="checkbox"/> <input type="checkbox"/>
		3 NC / 1 NO				<input type="checkbox"/> <input type="checkbox"/> 54 <input type="checkbox"/> <input type="checkbox"/>
<p>6 — rail mounting 7 — lid mounting</p> <p>code for pushbutton label see page 2 of pushbutton</p>						
Code →	P1	P2	P3	P4	Y0	Y1
Operator	Push button	Double push button	Emergency button	Black mushroom button	Red mushroom button with key	Button with key

QX-0201-P/S..5....

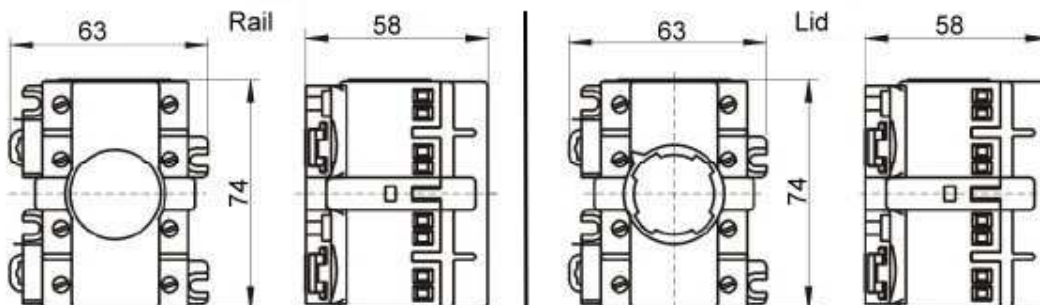
4-pole switching function for local control stations



Local control stations

 	Label	Contact scheme	Order No.
			S6 <input type="checkbox"/> 52 01
			S6 <input type="checkbox"/> 54 01
			S4 <input type="checkbox"/> 52 04
			S5 <input type="checkbox"/> 52 04
			S8 <input type="checkbox"/> 52 04
			S4 <input type="checkbox"/> 50 03
			S5 <input type="checkbox"/> 50 03
			S8 <input type="checkbox"/> 50 05

6 — rail mounting
7 — lid mounting



The markings of the handle can be interchanged. Simply use the last two digits of that image. E.g.: instead of **0 • I** at **S8 6 50 05**

it should be **I 0 II** :

adapted order number: **S8 6 50 04**

QX-0202...

LED indicators for local control panels



Local control station

- High brightness
- Robust construction, all voltages AC/DC
- International approved



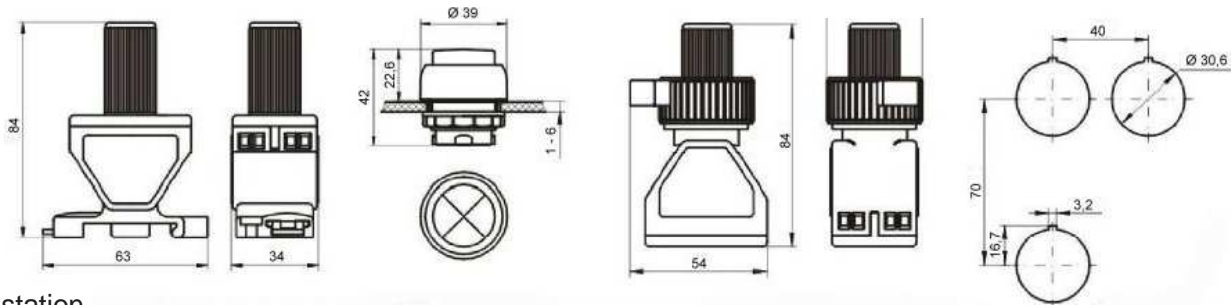
Boden-/Schienenmontage
Rail mounting

Description:

Indicators to build up local control stations and local control panels. ‚All –voltage‘ indicator with high brightness; even with daylight easy to recognize. Low current and power consumption by modern LED technology. All necessary colors available



Deckelmontage
Lid mounting



possible use as:

- local control station
- local control panel

Technical data

Dimension (mm)	s. drawing
Zones:	1, 21, 2, 22
Group:	IIC
Voltage:	24 V AC bis 240 V AC 24 V DC bis 36 V DC optional 220V-380V (last character 2)
Terminals :	2,5mm ²
Ambient temperature:	-55°C up to + 60°C
International protection:	IP66

Approvals

Ex II 2 GD Ex ed IIC Ex tD A21
 Prüfbescheinigungen:
 EPS11 ATEX 1397 U
 IECEx EPS 11.0012 U

Description	Mounting	Order number
Indicator Green	Rail	QX-0202-LG6G1
Indicator Red	Rail	QX-0202-LR6R1
Indicator White	Rail	QX-0202-LW6W1
Indicator Blue	Rail	QX-0202-LB6B1
Indicator Yellow	Rail	QX-0202-LY6Y1
Indicator Green	Lid	QX-0202-LG7G1
Indicator Red	Lid	QX-0202-LR7R1
Indicator White	Lid	QX-0202-LW7W1
Indicator Blue	Lid	QX-0202-LB7B1
Indicator Yellow	Lid	QX-0202-LY7Y1

QX-0212...

Illuminated push button function for local control stations



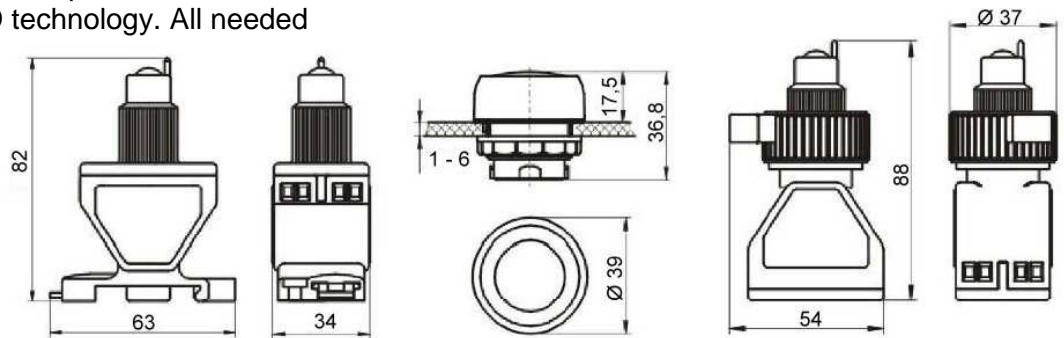
Local control stations

- High luminosity
- Robust build u; wide voltage range AC/DC
- International approved



Description

Illuminated push buttons for build up of local control stations and local control panels. 'All-voltage' indicator with high brightness and contact blocks with high switching capacity. Even with daylight easy recognizable, low current and low power consumption by modern LED technology. All needed colors available.



Possible use as:

- Local control stations
- Local control panels

Technical data

Dimension (mm)	s. drawing
Zones:	1, 21, 2,22
Group:	IIC
Voltage/Current:	24 V AC bis 240 V AC 24 V DC bis 36 V DC
Terminals :	2,5mm ²
Switching capacity:	250V 6A 24V 1A
Ambient temperature:	-55°C bis + 60°C
Ingress protection:	IP66
Power consumption:	≤ 1 W

II 2 GD Ex e II Ex tD A21
 Prüfbescheinigungen:
 EPS11 ATEX 1400 U
 IECEx EPS 11.015 U

Color	Contact	Rail	Lid
Red	 NC AC24V-240V DC24V-36V	QX-212- PR63R1	QX-212- PR73R1
Green		PG63G1	PG73G1
Yellow		PY63Y1	PY73Y1
Blue		PB63B1	PB73B1
White		PW63W1	PW73W1
Red	 NO AC24V-240V DC24V-36V	PR64R1	PR74R1
Green		PG64G1	PG74G1
Yellow		PY64Y1	PY74Y1
Blue		PB64B1	PB74B1
White		PW64W1	PW74W1

QX-0203-...

Potentiometer-function for local control stations



Local control stations

- Wide range of resistances
- Robust build up
- All approvals



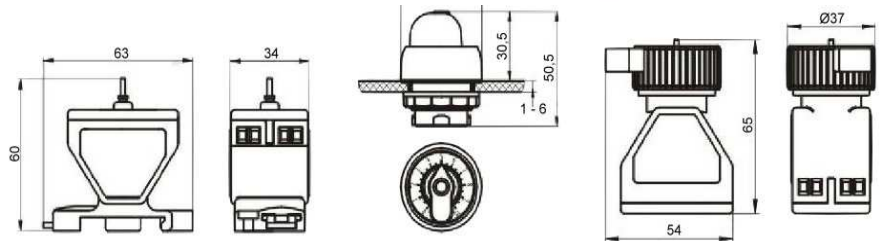
Description

Potentiometer function to build up local control stations or local control panels. Robust and reliable build up with 2,5mm² and 200V. Combinable with all functions.

Possible use

Local control stations

Local control panels



Technical Data

Dimension(mm)	see drawing
Zones	1, 21, 2, 22
Group:	IIC
Voltage:	200 V
Power consumption:	0.1 W
Range:	0-100%
Ambient temperature:	-55°C bis +60°C
Ingress protection:	IP66

Approvals

II 2 GD
Certificate:
EPS11ATEX1398 U
IECEX EPS 11.013 U

X07 means lid-, & means rail mounting

Description	Order number
100 Ω	QX-0203-X01
200 Ω	QX-0203-X02
500 Ω	QX-0203-X03
1,000 Ω	QX-0203-X04
2,000 Ω	QX-0203-X05
5,000 Ω	QX-0203-X06
10,000 Ω	QX-0203-X07
20,000 Ω	QX-0203-X08
50,000 Ω	QX-0203-X09
100,000 Ω	QX-0203-X10
200,000 Ω	QX-0203-X11
500,000 Ω	QX-0203-X12
1,000,000 Ω	QX-0203-X13
2,000,000 Ω	QX-0203-X14

- Wide measuring range
- Robust build up
- All approvals



Boden-/Schienenmontage
Rail Mounting



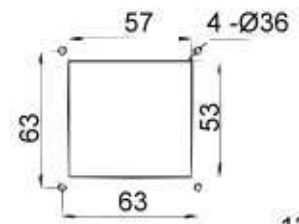
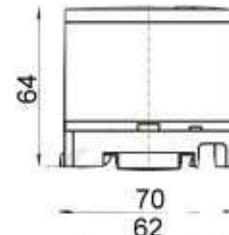
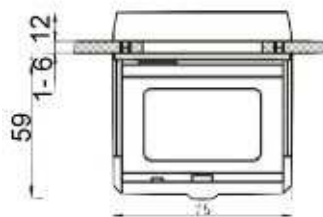
Deckelmontage
Lid mounting



EXM Fenster
EXM window

Description

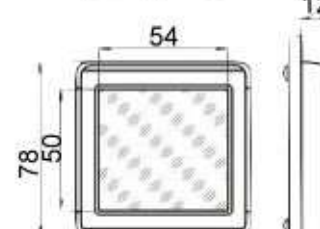
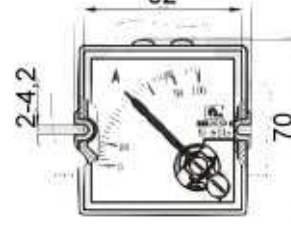
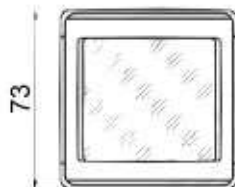
Ampmeter or voltmeter used to build local control stations or local control panels. Robust and reliable construction with 2.5 mm² terminals and 250V. Combinable with all functions. Measuring range with transformer extensible.



Possible use

Local control stations

Local control panels



Technical data

Dimensions (mm)	see drawing
Zones:	1, 21, 2, 22
Group:	IIC
Measuring range:	see table
Terminals :	2,5mm ²
Accuracy class:	1,5
Ambient temperature:	-40°C bis +60°C
Ingress protection:	IP66

Approvals

Ex II 2 GD
Certificate:
EPS11ATEX1399 U
IECEX EPS 11.014 U




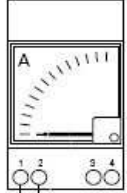
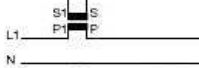
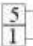

Specification and order number see table on page 2



QX-0205-M...



Ampmeter/Voltmeter-function for local control stations

Local control stations

 <p>Schienenmontage</p>  <p>Deckelmontage</p>  <p>EXM</p>  <p>EXM</p>  <p>connection to transformer</p>	Calotte	Measuring method	Overload factor	Measuring range	Order number QX-0205-
	EXM	Direct measurement	2	0-1 / 2A 0-4 / 8A 0-5 / 10A 0-10 / 20A 0-15 / 30A	M□DA 1 M□DA 4 M□DA 5 M□DA 10 M□DA 15
		Transformer	2	0-1 / 2A 0-2.5 / 5A 0-5 / 10A 0-15 / 30A 0-25 / 50A 0-40 / 80A 0-50 / 100A 0-60 / 120A 0-75 / 150A 0-100 / 200A 0-150 / 300A 0-200 / 400A 0-250 / 500A 0-300 / 600A 0-400 / 800A 0-500 / 1000A 0-600 / 1200A	M□WA 01 / □-2 M□WA 2.5 / □-2 M□WA 5 / □-2 M□WA 15 / □-2 M□WA 25 / □-2 M□WA 40 / □-2 M□WA 50 / □-2 M□WA 60 / □-2 M□WA 75 / □-2 M□WA 100 / □-2 M□WA 150 / □-2 M□WA 200 / □-2 M□WA 250 / □-2 M□WA 300 / □-2 M□WA 400 / □-2 M□WA 500 / □-2 M□WA 600 / □-2
Transformer	5	0-1 / 5A 0-2.5 / 12.5A 0-5 / 25A 0-15 / 75A 0-25 / 125A 0-40 / 200A 0-50 / 250A 0-60 / 300A 0-75 / 375A 0-100 / 500A 0-150 / 750A 0-200 / 1000A 0-250 / 1250A 0-300 / 1500A 0-400 / 2000A 0-500 / 2500A 0-600 / 3000A	M□WA 01 / □-5 M□WA 2.5 / □-5 M□WA 5 / □-5 M□WA 15 / □-5 M□WA 25 / □-5 M□WA 40 / □-5 M□WA 50 / □-5 M□WA 60 / □-5 M□WA 75 / □-5 M□WA 100 / □-5 M□WA 150 / □-5 M□WA 200 / □-5 M□WA 250 / □-5 M□WA 300 / □-5 M□WA 400 / □-5 M□WA 500 / □-5 M□WA 600 / □-5		
<p>6 — rail mounting 7 — lid mounting</p> <p>connection to transformer 5A  1A </p>					

 	Calotte	Measurement range (AC)	Order number QX-0205-
	EXM	0-25V 0-40V 0-150V 0-250V 0-500V	M□V 25 M□V 40 M□V 150 M□V 250 M□V 500
<p>6 — rail mounting 7 — lid mounting</p>			



QX-AS-

4031/1 _____

LABEL

This label is used together with the operation heads. The text can be carved in accordance to your request



4031/4 _____

Label Large

This label is used together with the big handle of the switch. The text can be carved in accordance to your request



4003/2

Emergency switch off label(crosswise for enclosures)

This label will help to recognized the function from a distance



4003/1

Emergency switch off label(beneath the switch)

This label will help to recognized the function from a distance



4009-25

Overhanging part (for M25)

The overhanging part is used for the buttons of hoist and other moveable control functions together with M25 glands



4006

Socket Spanner

This tool is used for the mounting of operators in the lid.



4019

Safety catch

This will avoid accidental use of the operator